

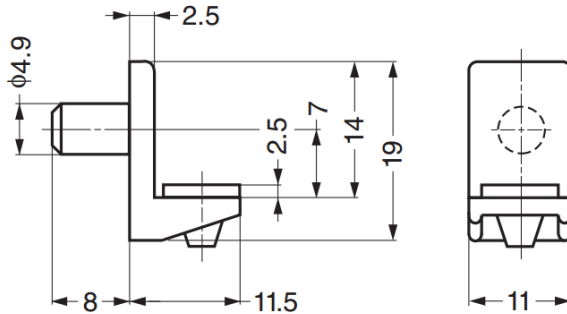
GSS-307 Dowel

Material

- Polyamide, white / brown / black colour

Recommended Mounting Hole

- $\phi 5$

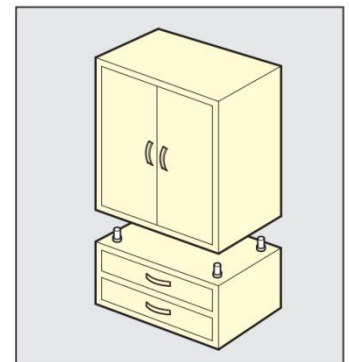
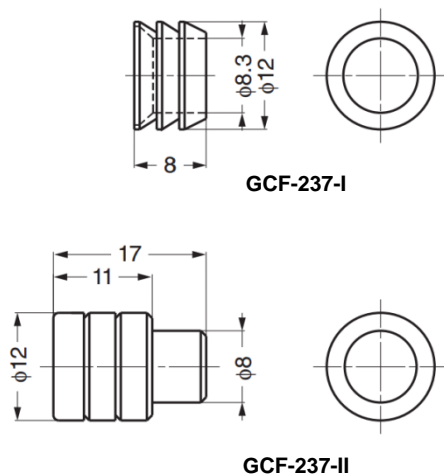


Part No.	Type	Colour	Load Capacity (per 4 pieces)	
GSS-307W	Without Rubber	White	98 N	10 kg
GSS-307BR		Brown		
GSS-307B		Black		
GSS-307WG	With Rubber	White		
GSS-307BRG		Brown		
GSS-307BG		Black		

GCF-237 Dowel

Material

- Brass, plain finish



Part No.
GCF-237